

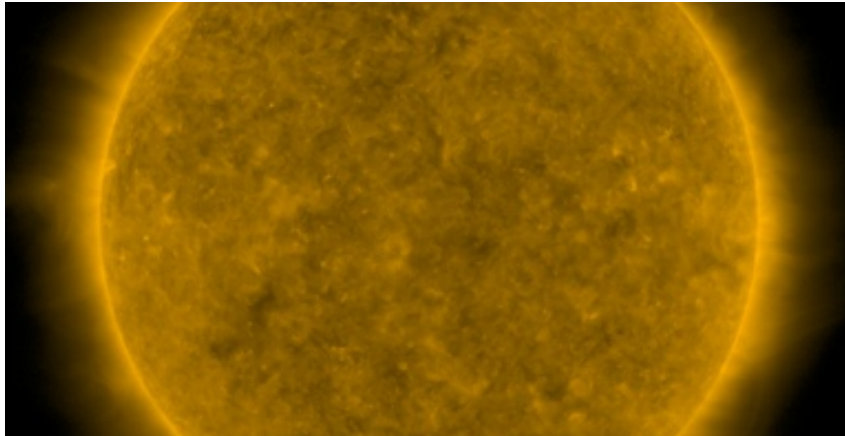


JUNE 2019 MAKERSPACE CLASS SCHEDULE

MONDAY	TUESDAY	WEDNESDAY	THURSDAY	FRIDAY	SATURDAY	SUNDAY
					1	2
3	4	5 5:00 PM CO2 Car Build Day	6	7	8 CO2 CAR RACE	9
10	11 3:00-5:00 PM Solar Camp	12 1:00 PM Intro to Soldering 3:00-5:00 PM Solar Camp	13 1:00 PM Intro to Embird Embroidery Software 3:00-5:00 PM Solar Camp	14 1:00 PM Intro to Vinyl Cutting	15 11:00 AM Intro to the LASER Cutter 1:00 PM Intro to the Embroidery Machine	16
17	18 3:00-5:00 PM LEGO Robotics	19 1:00 PM Arduino Basics 3:00-5:00 PM LEGO Robotics	20 1:00 PM Intro to 3D Printing 3:00-5:00 PM LEGO Robotics	21 1:00 PM Intro to the ShopBot 3:00-5:00 PM LEGO Robotics	22 11:00 AM Intro to Rotary Laser Engraving 1:00 PM Intro to Powered Saws	23
24 1:00-3:00 PM Drama Camp	25 1:00-3:00 PM Drama Camp 8:00-10:00 PM Astronomy Camp	26 1:00-3:00 PM Drama Camp 2:00 PM Intro to Vinyl Cutting 8:00-10:00 PM Astronomy Camp	27 1:00-3:00 PM Drama Camp 2:00 PM Intro to Rotary Tools 8:00-10:00 PM Astronomy Camp	28 2:00 PM Drama Camp	29	30



JUNE 2019 MAKERSPACE CLASS SCHEDULE



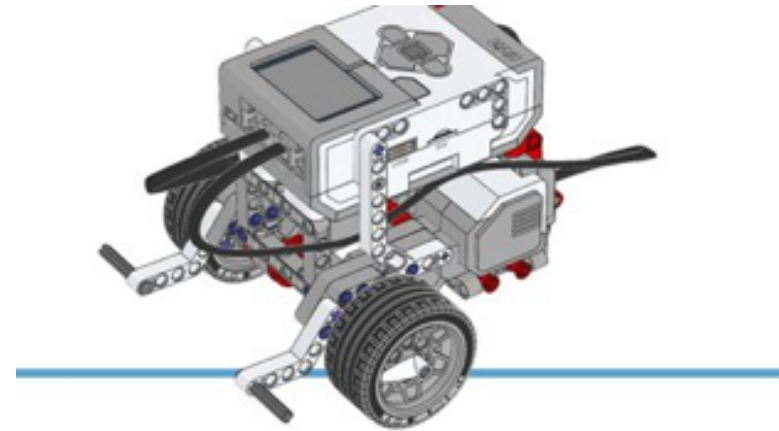
SOLAR CAMP

Build solar ovens, explore magnifying glasses and lenses, generate electricity with the power of the Sun and more! This 3 day camp will put those hot summer days to work and give you a whole set of solar activities that you can show your friends and do again at home!

Ages 10+

Dates & Times: click a date to RSVP
Tuesday, June 11th - Thursday, June 13th, 3-5PM

Maximum Class Size: 10 **Duration:** 2 Hours per day
Cost: \$75



LEGO ROBOTICS

After you build your LEGO robot you'll complete a series of challenges! Program your robot to do a square dance, run through a maze and see which robot can win a sumo competition!

Ages 10+

Dates & Times: click a date to RSVP
Tuesday, June 18th - Thursday, June 20th, 3-5PM

Maximum Class Size: 6 **Duration:** 2 Hours per day
Cost: \$75



JUNE 2019 MAKERSPACE CLASS SCHEDULE



ACTING UP

Students will work in groups and individually in styles including improvisation, puppetry, scenes and monologues. Performances for parents will take place on Friday at 3:30 (parents should arrive at 3:15).

About the instructor: Julia Nelson holds a Masters of Fine Arts in Shakespeare and Performance from Mary Baldwin College and has appeared in dozens of stage productions. She has also entertained the masses as a voice actress, clown and mime (although not all at the same time).

Ages 10+

Dates & Times: [click a date to RSVP](#)

Monday, June 24th - Friday, June 28th, 1-3PM

Maximum Class Size: 10

Duration: 2 Hours per day

Cost: \$100



ASTRONOMY NIGHTS

Build a telescope then observe the night sky with your newly created tool! Sarah Twidal, Director of the Noble Planetarium will co-teach this camp and guide nightly star-gazing on the Makerspace front yard!

Ages 10+

Dates & Times: [click a date to RSVP](#)

Tuesday, June 25th - Thursday, June 27th, 8-10PM

Maximum Class Size: 10

Duration: 2 Hours per day

Cost: \$75



JUNE 2019 MAKERSPACE CLASS SCHEDULE



CO2 CAR BUILD DAY

The Walsh CO2 race is your chance to design, build and race a car you design from scratch! Purchase a car kit and all of your racing supplies will be covered, when you finish building you'll be ready to race!

Participants will design unique aerodynamic shapes for their cars and draw them onto the car body supplied with the kit. Makerspace staff and volunteers will then cut each shape into the car body. Participants will use hand tools to finish their designs

13+, all ages with accompanying parent or guardian over 18

Dates & Times: [click a date to RSVP](#)
Wednesday, June 5th, 5PM

Maximum Class Size: 5 **Duration:** 1 Hour
Cost: \$25 - includes one car kit with racing supplies and 5 test cartridges

Repeat the class and/or visit the Makerspace as often as you like to finish your car design!



INTRO TO VINYL CUTTING

Our vinyl cutter can create stickers, paint masks, and heat-transfer letters for custom shirts and clothing. Learn the ins and outs of our vinyl cutter from design to finished sticker! Participants will design a small sticker, cut it on the vinyl cutter and learn application procedures for different surfaces. Take home a small sticker ready to apply to just about anything.

Ages 8+

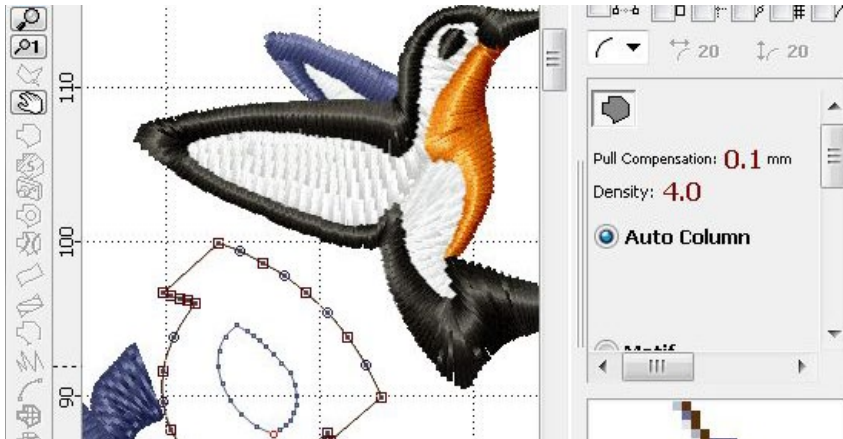
Dates & Times: [click a date to RSVP](#)
Friday, June 14th, 1PM Wednesday, June 26th, 2PM

Maximum Class Size: 5 **Duration:** 1 Hour
Cost: Free

Optional: Bring a cup, mug, or other object to label with a custom sticker



JUNE 2019 MAKERSPACE CLASS SCHEDULE



INTRO TO EMBIRD EMBROIDERY SOFTWARE

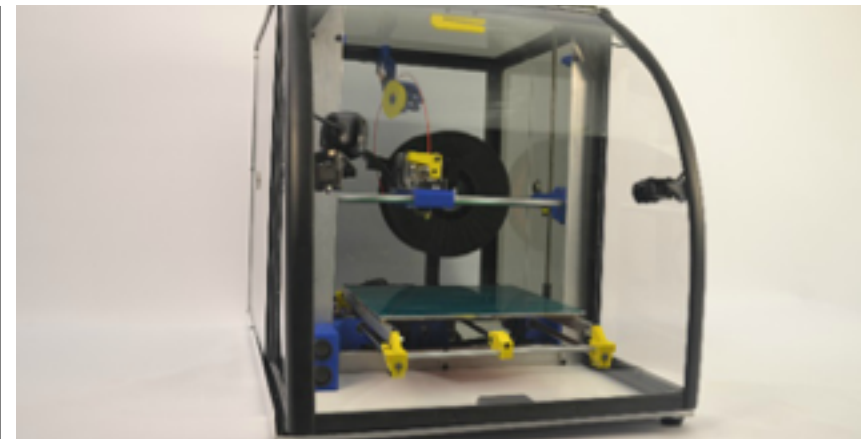
Embroid is the design tool used to create embroidery files from digital designs. This class will start with a simple logo and digitize it to be embroidered on the Makerspace embroidery machine. Creating an embroidery design from scratch will also be discussed and demonstrated.

Files created by Embird can be used by commercial embroidery shops or for mass production. Due to limited licensing Embird is only available on 2 Makerspace computers.

13+, 7+ with accompanying parent or guardian over 18

Dates & Times: click a date to RSVP
Thursday, June 13th, 1PM

Maximum Class Size: 3 **Duration:** 1 Hour
Cost: Free



INTRODUCTION TO 3D PRINTING

Learn the basics of 3D printing and get ready to print your first model! You will learn the theory behind 3D printing, proper machine set up and safe use, software to design your own 3D model, and material options. After the class, you will be ready to use the software to upload a 3D model, set up the printer and print your first part. (Students can stay after class or set an appointment to return the following week to print their project.)

13+, 5+ with accompanying parent or guardian over 18

Dates & Times: click a date to RSVP
Thursday, June 20th, 1PM

Maximum Class Size: 6 **Duration:** 1 Hour
Cost: Free



JUNE 2019 MAKERSPACE CLASS SCHEDULE



INTRO TO THE SHOPBOT

The Shopbot is the Makerspace's CNC machine. If you can draw it, the Shopbot can cut it out. This tool is excellent for sign making, arts and crafts, molding, or making intricate and complex shapes. This class will teach you basic operation of the machine from securing your work piece on the machine bed to preparing the file to be cut. Each participant will take home a sample piece they have created during the class.

18+, 13+ with accompanying parent or guardian over 18

Dates & Times: [click a date to RSVP](#)
Friday, June 21st, 1PM

Maximum Class Size: 5 **Duration:** 1 Hour
Cost: Free

Equipment: Please wear closed-toe shoes



INTRO TO LASER CUTTING

In this class, you will learn the basics of using our Full Spectrum LASER for cutting, engraving and etching wood-based and other materials. We will show you how to use the machine software, basic machine controls, material set up and proper testing techniques for new potential LASER materials. Under supervision, each student will operate the LASER cutter with a sample file and create a simple object to help them become comfortable with the machinery.

Ages 13+

Dates & Times: [click a date to RSVP](#)
Saturday, June 15th, 11AM Saturday, June 22nd, 11AM

Maximum Class Size: 6 **Duration:** 1 Hour
Cost: Free

Equipment: Please wear closed-toe shoes



JUNE 2019 MAKERSPACE CLASS SCHEDULE



INTRO TO THE EMBROIDERY MACHINE

The Makerspace embroidery machine can embroider simple monograms or complex logos and designs. This class will focus on machine setup and operations including winding bobbins, threading the machine and stitching a design onto a finished piece. Proper material selection and supplies provided by the Makerspace will also be presented as well as local resources to purchase additional needed supplies.

Participating in Intro to Embroidery software is suggested but not required.

13+, 7+ with accompanying parent or guardian over 18

Dates & Times: click a date to RSVP
Saturday, June 15th, 1PM

Maximum Class Size: 3 **Duration:** 1 Hour
Cost: Free



INTRO TO POWERED SAWS

The first step after becoming a member of the Makerspace is to be trained on specific tools. In this hands-on class, students will learn the basics of each of the Makerspace's stationary saws including the panel, band, miter and table saws and how to safely operate each one. These skills will enable any beginning woodworker to make successful basic cuts and joints.

18+, 13+ with accompanying parent or guardian over 18

Dates & Times: click a date to RSVP
Saturday, June 22nd, 1PM

Maximum Class Size: 5 **Duration:** 1 Hour
Cost: Free



JUNE 2019 MAKERSPACE CLASS SCHEDULE



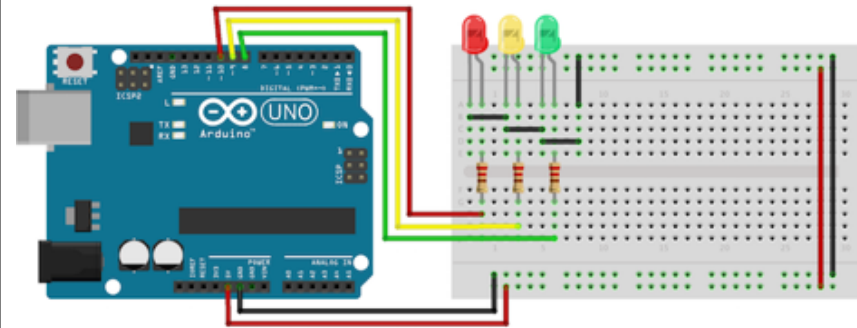
INTRO TO ROTARY TOOLS

The first step after becoming a member of the Makerspace is to be trained on specific tools. In this hands-on class, students will learn the basics of the router, drill press and planer/joiner and how to safely operate each one. This equipment is used to cut, shape and do many other amazing things with wood pieces and projects. Students will operate each machine under the direction of the instructor.

18+, 13+ with accompanying parent or guardian over 18

Dates & Times: click a date to RSVP
Thursday, June 27th, 2PM

Maximum Class Size: 5 **Duration:** 1 Hour
Cost: Free



BASIC ELECTRONICS

This class teaches the basics of electricity, how to safely work with electricity and wiring and proper terminology of electrical components. Participants will use arduino electronic kits to build and program a mini-model of a functioning traffic light.

13+, all ages with accompanying parent or guardian over 18

Dates & Times: click a date to RSVP
Wednesday, June 19th, 1PM

Maximum Class Size: 5 **Duration:** 1 Hour
Cost: Free

Optional: Arduino kits are available for purchase for \$25 to take the traffic light home with you. Purchase is not required to participate in the class.



JUNE 2019 MAKERSPACE CLASS SCHEDULE



INTRO TO SOLDERING

Soldering is the process of melting metal to attach electronic components to circuit boards, wires and each other. Participants in this class will assemble a small electronic dice kit that “rolls” when shaken. The finished product is yours to keep!

Soldering makes use of molten metals and exposed very hot tools. Appropriate safety gear will be provided and is encouraged to be used at all times.

18+, 13+ with accompanying parent or guardian over 18

Dates & Times: [click a date to RSVP](#)
Wednesday, June 12th, 1PM

Maximum Class Size: 5 **Duration:** 1 Hour
Cost: \$20 (Includes 1 electronic dice and battery)



INTRO TO ROTARY LASER ENGRAVING

The rotary attachment on the LASER cutter allows you to engrave round objects including cups, glasses, YETI tumblers, and much more! This class will teach you how to setup the rotary tool and engrave onto a round surface. Special applications and configurations will also be discussed. You'll get hands on experience and take home a custom etched glass

Ages 13+

Dates & Times: [click a date to RSVP](#)
Saturday, June 22nd, 11AM

Maximum Class Size: 5 **Duration:** 1 Hour
Cost: \$10 (Includes an etched glass to take home)